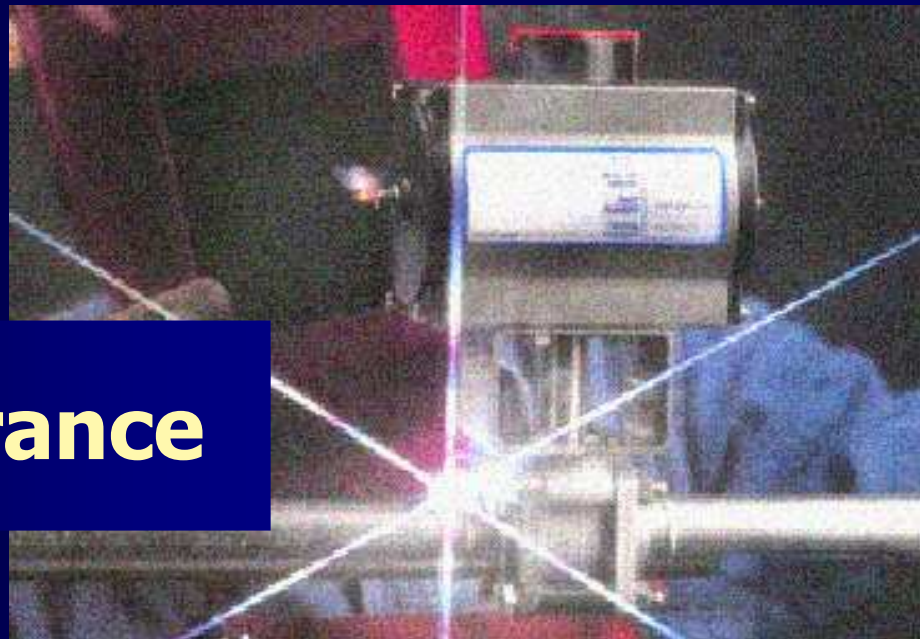


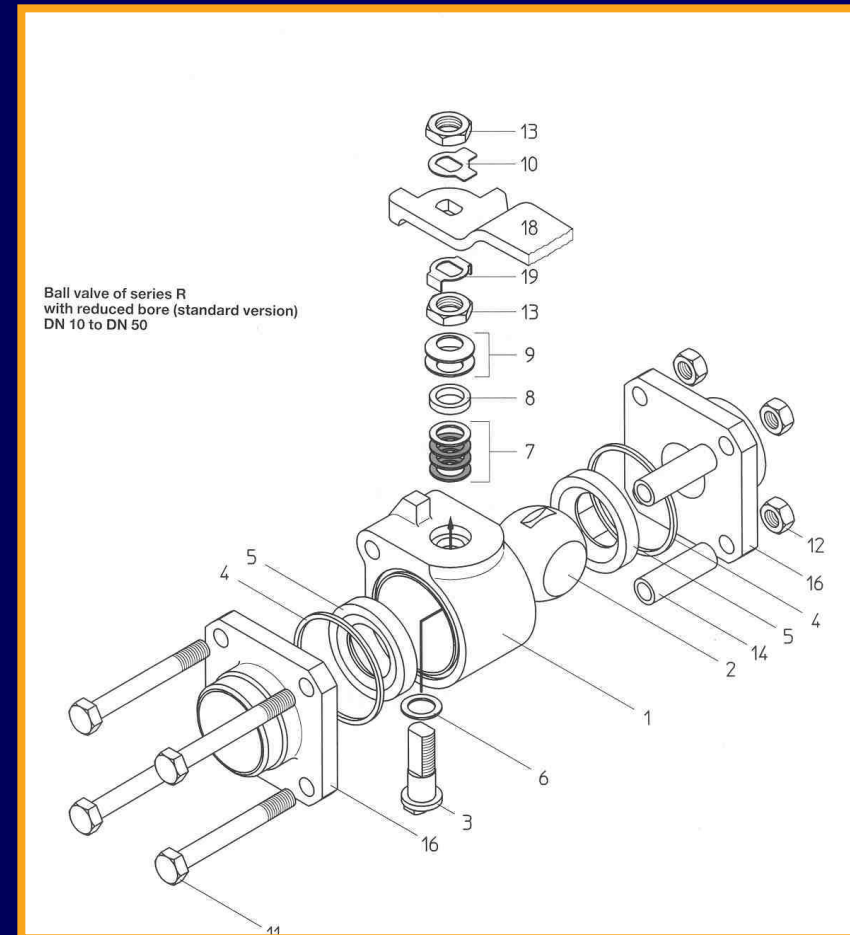
Mecafrance



By: Kees Hartkoorn
January 2005

Key product features:

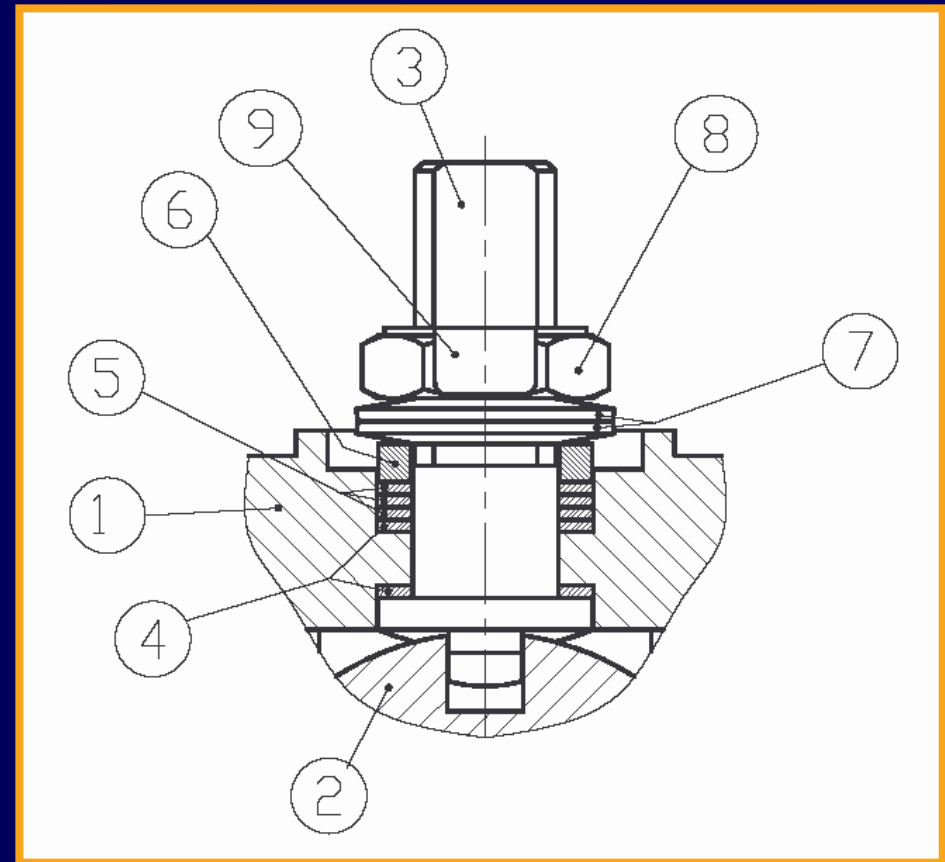
- Blow out proof shaft
- Bellville loaded stuffing box for temperature and pressure cycles
- Lock washers for trouble free and maintenance free service
- Floating ball for perfect bi-directional tightness
- Body gasket arrangement in function of valve service (fire safe, or standard)
- Easy maintenance due to “swivelling”



Example shown is “R” series

General packing details

1. Body
2. Ball
3. Stem
4. Stem seal
5. Stem packing
6. Stem packing follower
7. Belleville washer
8. Stem nut
9. Catch lock washer

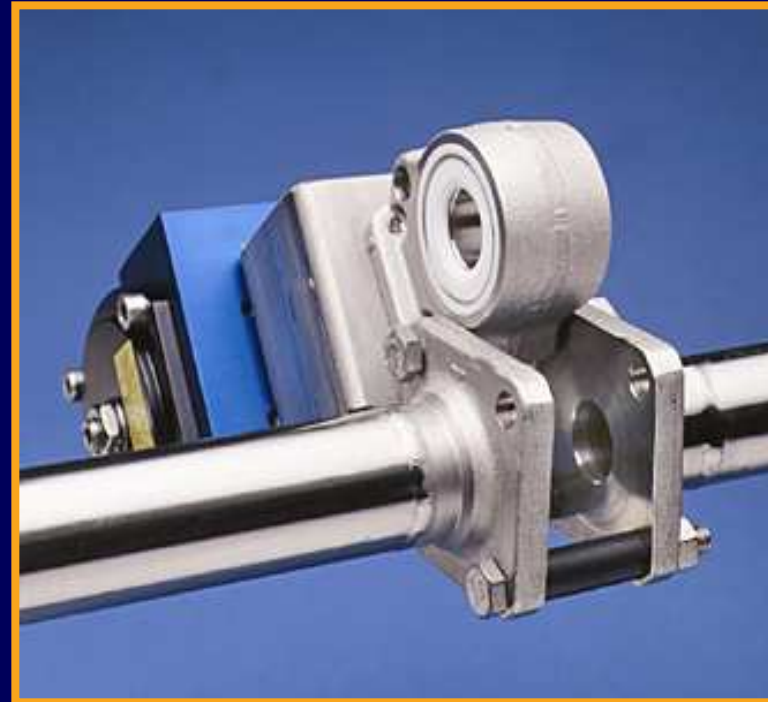


In-line Maintenance of 3 piece ball valves

One bolt removal for simplified in-line maintenance of all internal component parts (swing-out)

The design also minimizes pipe twisting or distortion during maintenance

Larger valves utilize a similar in-line maintenance feature (slide-out)



Technical description

3 Piece ball valves

- Three-piece body
 - Carbon or stainless steel
- Standard or full bore
- Numerous seats & seals
- End connections
 - Butt-weld
 - Socket weld
 - Flanged ends
 - Internal threads
 - Quick-connect-ends, etc.



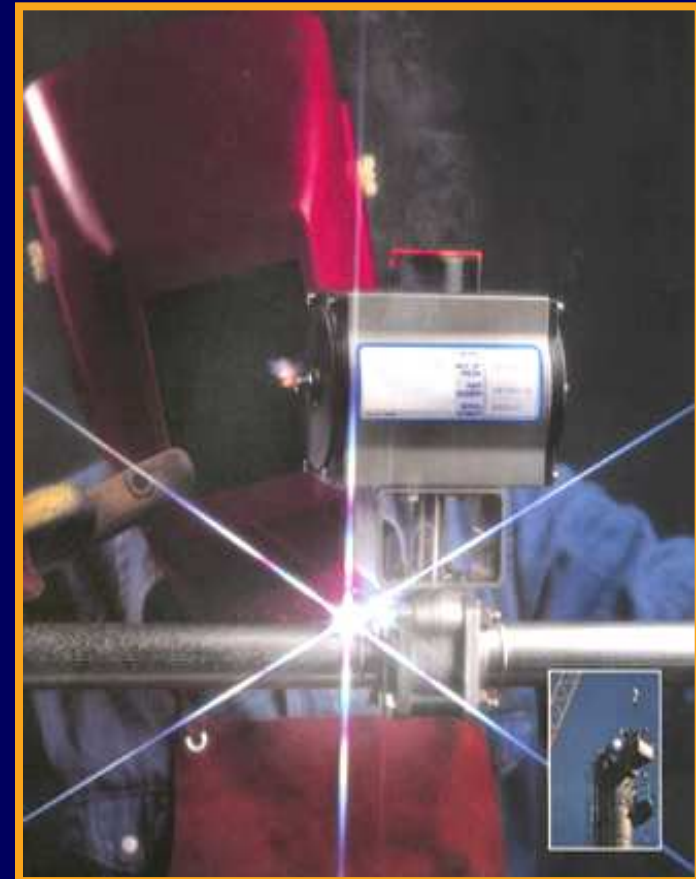
Series RA 55 / 56 / 66

- Three-piece body
 - Carbon
 - Stainless steel
 - DIN-ISO top flange
- With or without lever
- Standard or full bore (integral)
- Numerous seats & seals
- End connections
 - Butt-weld, flanged ends
 - Internal threads, quick-connect (Tri-clamp)
 - Socket weld etc.



Mecafrance: The Advantage

- Huge installed base
- Complete range
- 40 Years experience
- In house automation and adjustment
- Local presence
- Local technical support
- Extremely good dealer network
- Numerous approvals



Mecafrance

